

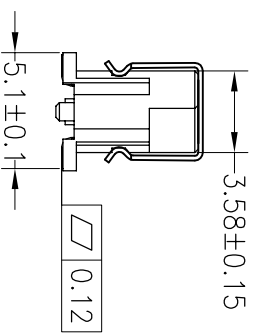
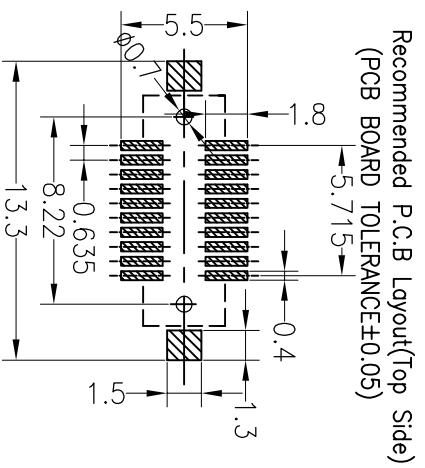
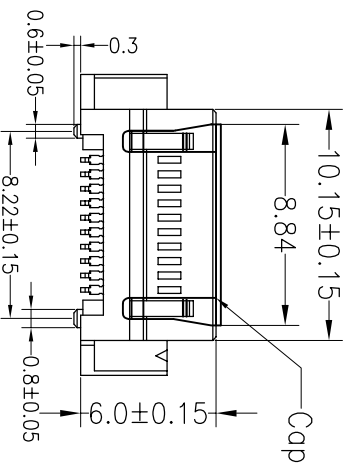
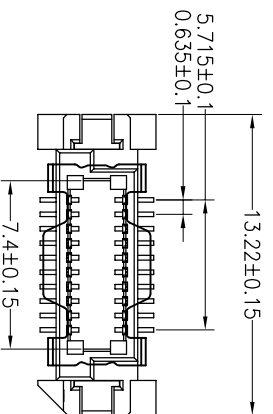
HSE ROHS

SPECIFICATIONS PERFORMANCE

Electrical Rating: AC/DC 50V 0.5A
 Insulation Resistance: 500M Ω Min
 Withstand Volt: 200V AC/minute
 Contact Resistance: 30m Ω Max
 Operating Temperature: -40 $^{\circ}$ C to +105 $^{\circ}$ C

Material

Contact: Phosphor Bronze Gold-Plated
 Fitting Nail: Brass, T=0.25mm
 Metal Cap: Stainless Steel
 Housing: LCP UL94V0
 Max. Processing Temp: 230 $^{\circ}$ C for 30-60 seconds
 260 $^{\circ}$ C for 10 seconds



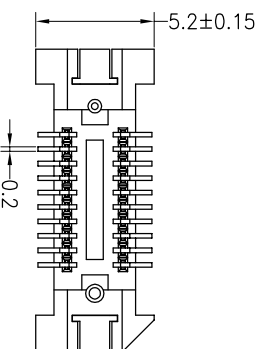
Ordering Information

3722 F 020 060 XX F X 01

F=Female
 M=Male
 No. of pins 20P
 Plastic Height 060=6.0mm

Contact Plating
 G0:Gold Flash
 G1:3U" Gold
 G2:5U" Gold
 G3:10U" Gold
 G4:15U" Gold
 G5:30U" Gold
 S0:Gold Flash/Matte-Tin
 S1:3U" Gold/Matte-Tin

Packing
 T:Tube
 P:Tube+Cap
 R:Reel+Cap



1	2	3	4	5	6	7	8	9
---	---	---	---	---	---	---	---	---

REV	DATE	MODIFICATION DESCRIPTION	CHANGE	OPERATION		DRAW	yiyusheng	21.5.17	SCALE	FIT	SHEET	PROJ.	TITLE:
				DIM	TOL								
A0	2021.05.17	NEW DRAWING		X.XX	±0.30	CHECK			mm	A4	1/1		3722F020060XXFX01
1				Angle	±3°	APPROVE							0.635BTB 20Pin H6.0 Female

JILIN® 深圳市锦凌电子有限公司
 SHENZHEN JINLING ELECTRONIC CO.,LTD
 Tel: 86-755-2997-5806/5802 Fax: 86-755-2997-5892